



EMC Choke for Splitter Application



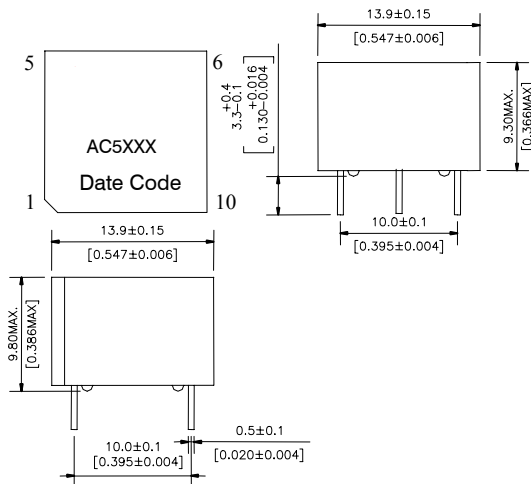
- ★ Designed for ADSL Splitter Application
- ★ High Performance EMC Choke in Small THT Package
- ★ Excellent longitudinal balance

Specifications

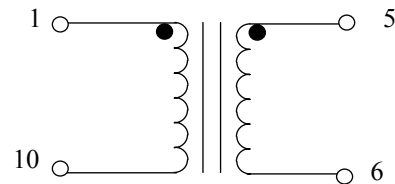
PN	Turn Ratio	OCL (mH)	DCR Pri (Ω Max)	DCR Sec (Ω Max)	Hi-Pot (V min)
AC5001	1:1	9 \pm 30%	0.6	0.6	1500
AC0001	1:1	9 \pm 30%	1.0	1.0	1500
AC5007	1:1	4.7 \pm 30%	0.6	0.6	1500

Dimension

AC5001



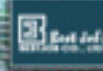
Schematic





Best Job!

EMC Choke for Splitter Application



AC0001

