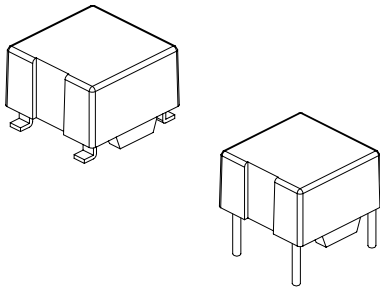




Common Mode Choke Transformer

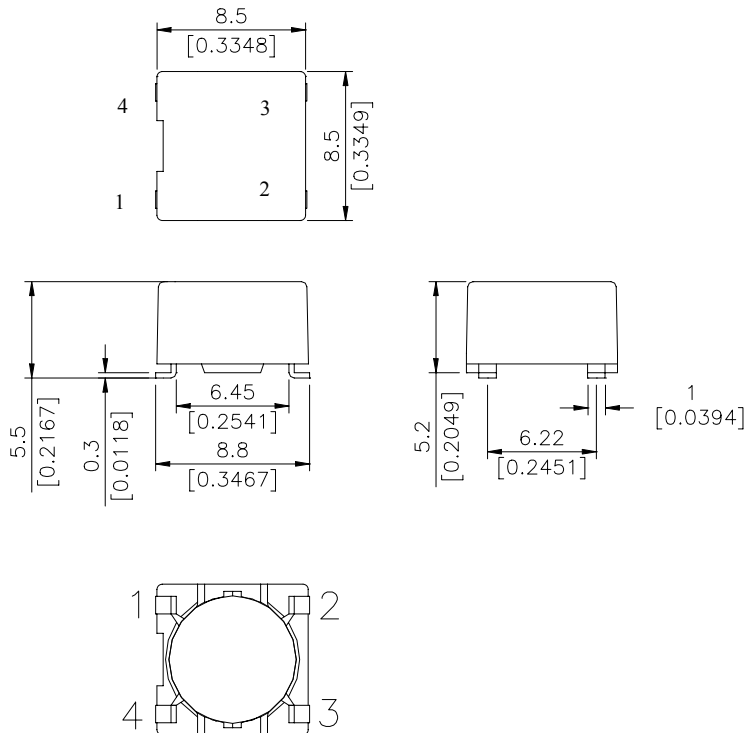


- ★ Improved EMI performance for FCC class B applications
- ★ Line to line isolation: 500 Vrms
- ★ Maximum common mode attenuation at 1MHz
- ★ Well suited for many Telecom applications

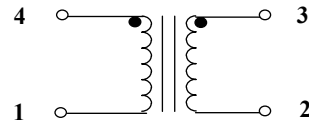
Specifications

Part Number	OCL (mH \pm 30%)	Common Mode Attenuation			Isolation Voltage (Vrms MIN)	DCR (Ω MAX)
		(dB TYP @100KHz)	(dB TYP @1MHz)	(dB TYP @10MHz)		
AC0006	9.0	40	51	38	500	1.7
AC5006	9.0	40	51	38	500	1.7
AC0008	4.7	40	51	38	500	1.0
AC5008	4.7	40	51	38	500	1.0

Dimension (AC0006)/(AC0008)

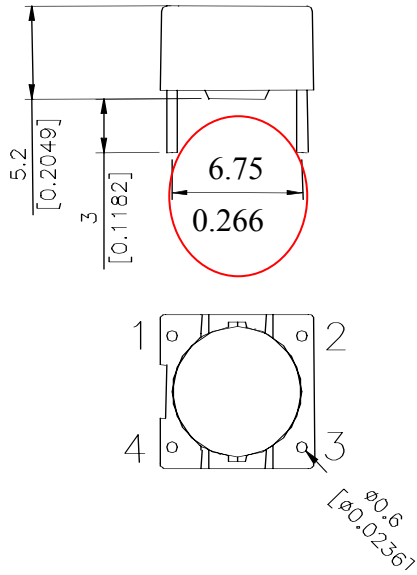


Schematic

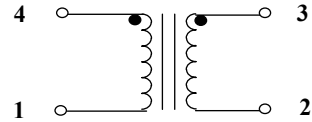


Data sheet subject to change without notice

Dimension (AC5006)/(AC5008)



Schematic



Data sheet subject to change without notice