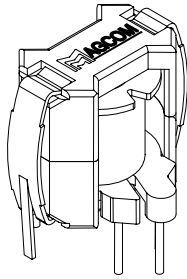




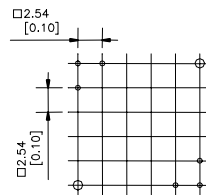
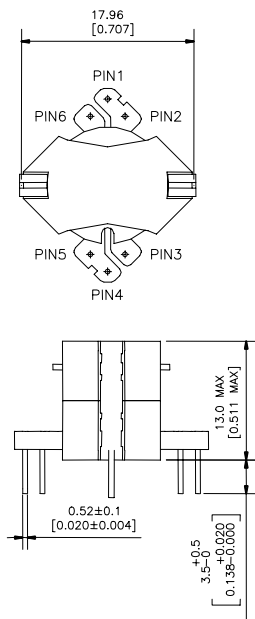
Inductor for POTS Splitter Application



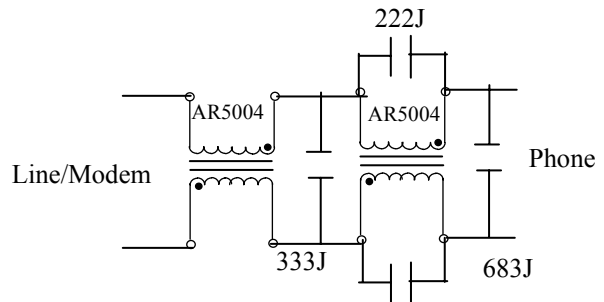
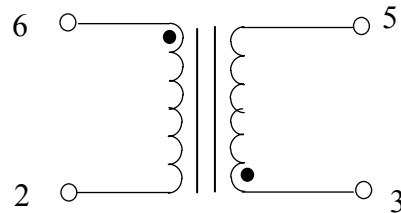
- ★ Use For POTS Splitter Application
- ★ Stable Inductance with DC Bias
- ★ Small Packages in RM6 THT Type

Specifications						
Part Number	Application	Inductance (uH)	Inductance @100mA (uH)	Turn Ratio (±2%)	DCR (Ω Max)	Hi-Pot (Vdc)
AR5004	Inductor	(6-2) 6mH±7% (5-3) 6mH±7%	(6-5) 24mH (2-3)short.5% TYP	(6-2)/(5-3)=1.00	(6-2)=(5-3)=4.5	500

Dimension



Schematic



Data sheet subject to change without notice

222J