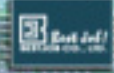




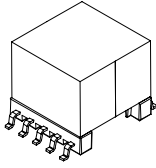
Inductor for POTS Splitter Application



★ Use For POTS Splitter Application

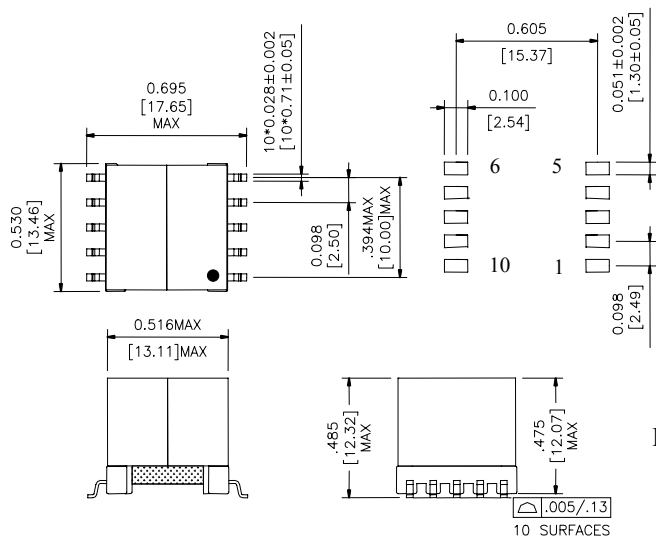
★ Stable Inductance with DC Bias

★ Small Packages in EP13 SMD Type

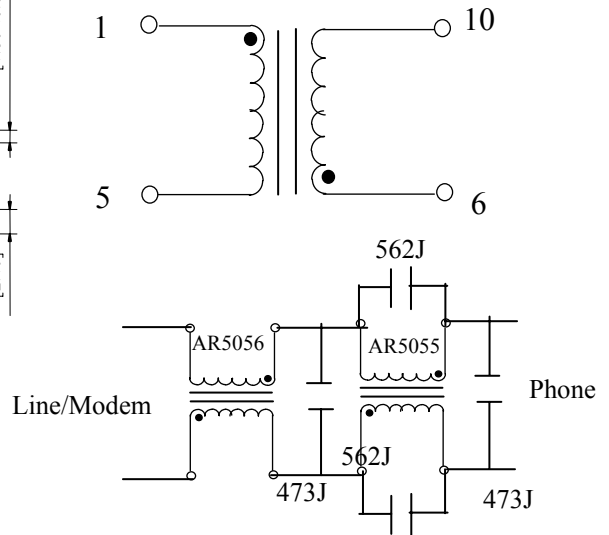


Specifications						
Part Number	Application	Inductance @100mA (mH)	Inductance (mH)	Turn Ratio (±2%)	DCR (Ω Max)	Hi-Pot (Vdc)
AR5056	Inductor	(1-5) 4.75mH±7% (6-10) 4.75mH±7%	(1-10) 18mH,(5-6) shorted ±5%	(1-5)/(6-10)=1.00	(1-5)=(6-10)<7.5	500
AR5055	Inductor	(1-5) 2.45mH±7% (6-10) 2.45mH±7%	(1-10) 9 mH,(5-6) shorted ±5%	(1-5)/(6-10)=1.00	(1-5)=(6-10)<5.5	500

Dimension



Schematic



Data sheet subject to change without notice