



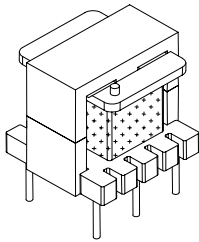
Inductor for POTS Splitter Application



★ Use For POTS Splitter Application

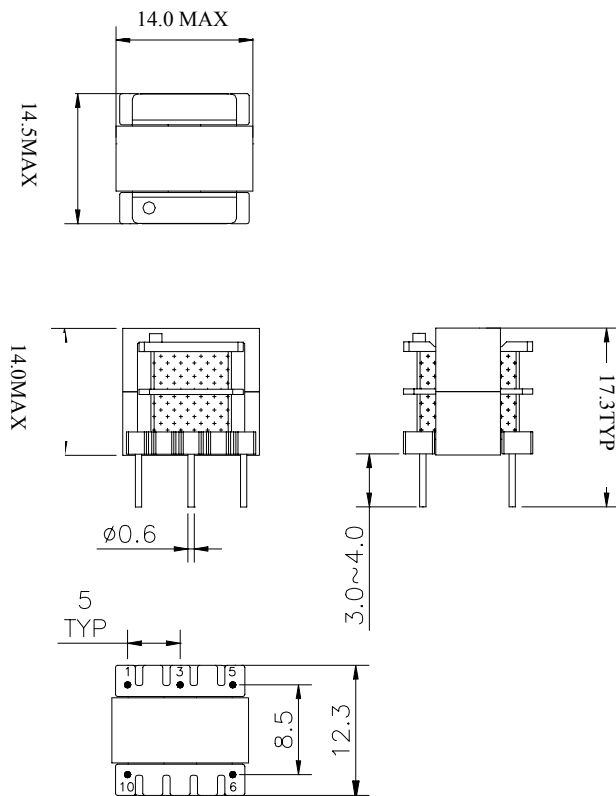
★ Stable Inductance with DC Bias

★ Small Packages in EE13 THT Type

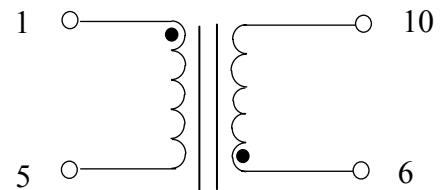


| Specifications | | | | | |
|----------------|-------------|------------------------------------|----------------------------------|----------------|--------------|
| Part Number | Application | Inductance@100mA (mH) | Inductance (mH) | DCR (Max) | Hi-Pot (Vdc) |
| AR5090 | Inductor | (1-5)4.75mH±7% (6-10) 4.75mH±7% | (1-10) 18mH,(5-6) shorted ±5% | (1-5)=(6-10)=5 | 500 |
| | | | | | |

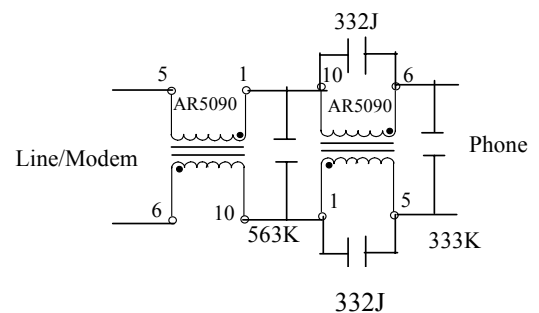
Dimension



Schematic



Splitter Application



Data sheet subject to change without notice