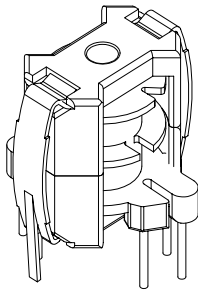
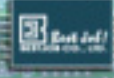




# Inductor for POTS Splitter Application

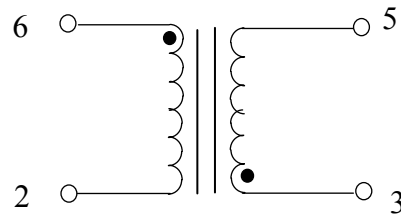
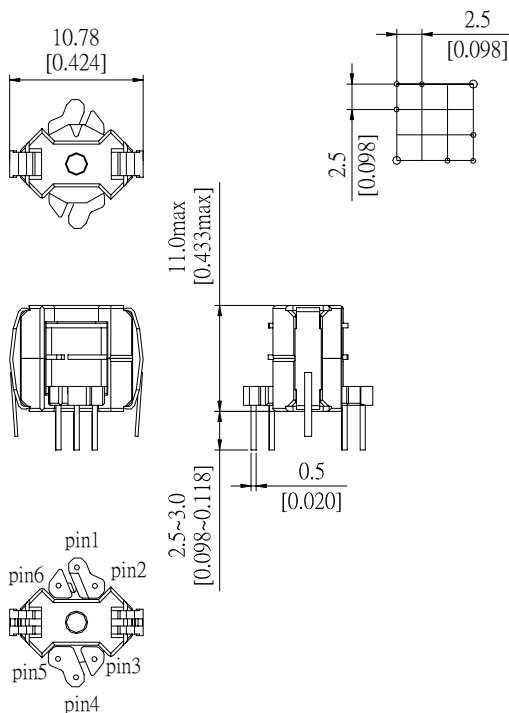


- ★ Use For POTS Splitter Application
- ★ Stable Inductance with DC Bias
- ★ Small Packages in RM4 THT Type

Specifications						
Part Number	Application	Inductance (uH)	Inductance @100mA (uH)	DCR (Ω Max)	Hi-Pot (Vdc)	
AR5132	Inductor	(6-2)60uH±1% (5-3)60uH±1%	(6-5)240uH (2-3)short.5% TYP	(6-2)=(5-3)=0.4	500	
AR5133	Inductor	(6-2)78uH±1% (5-3)78uH±1%	(6-5)312uH (2-3)short.5% TYP	(6-2)=(5-3)=0.4	500	
AR5134	Inductor	(6-2)75uH±1% (5-3)75uH±1%	(6-5)300uH (2-3)short.5% TYP	(6-2)=(5-3)=0.4	500	

## Dimension

## Schematic



Data sheet subject to change without notice