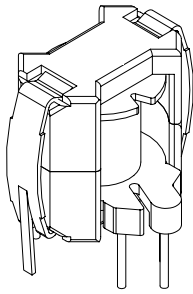
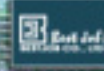




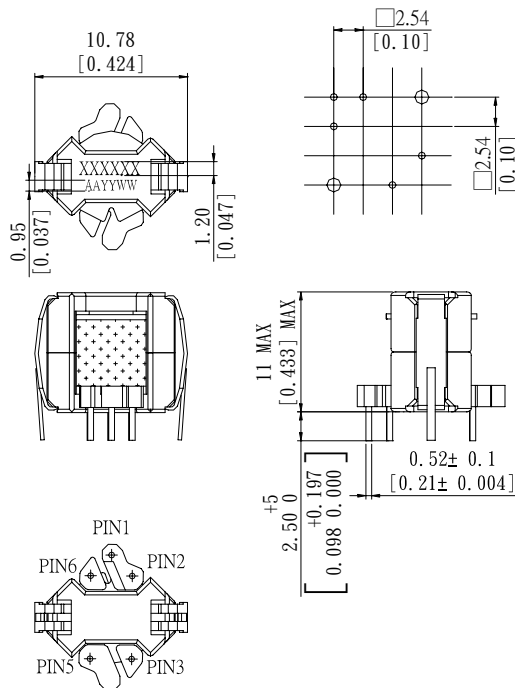
Inductor for POTS Splitter Application



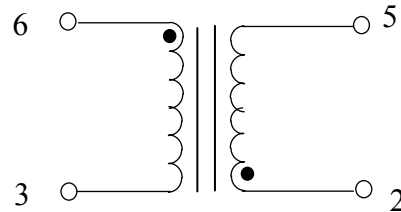
- ★ Use For POTS Splitter Application
- ★ Stable Inductance with DC Bias
- ★ Small Packages in RM4 THT Type

Specifications						
Part Number	Application	Inductance (uH)	Inductance @100mA (mH)	DCR (Ω Max) @25°C	Hi-Pot (Vdc)	
AR5135	Inductor	(6-3) 300uH±3% (2-5)300uH±3%	(6-5)1.2mH (2-3)short.5% TYP	(6-3)=(2-5)=1.0	500	
AR5136	Inductor	(6-3) 510uH±3% (2-5)510uH±3%	(6-5)2.04mH (2-3)short.5% TYP	(6-3)=(2-5)=1.8	500	
AR5137	Inductor	(6-3)470uH±3% (2-5)470uH±3%	(6-5)1.88mH (2-3)short.5% TYP	(6-3)=(2-5)=1.4	500	

Dimension



Schematic



Data sheet subject to change without notice