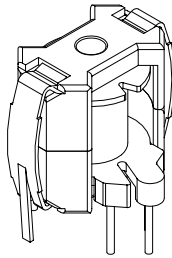




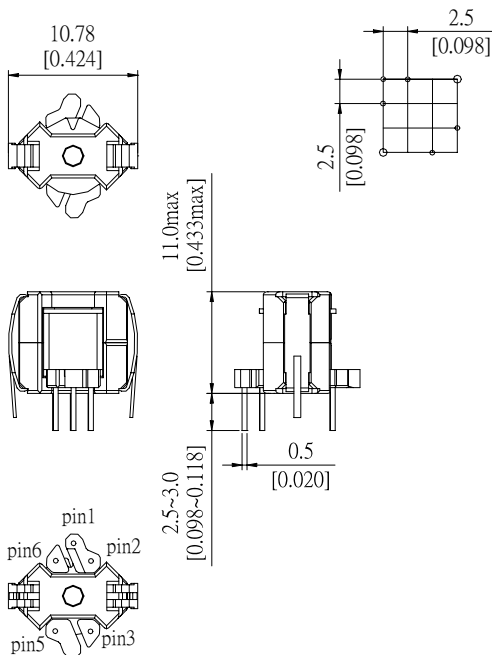
Inductor for POTS Splitter Application



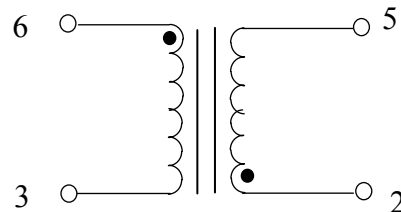
- ★ Use For POTS Splitter Application
- ★ Stable Inductance with DC Bias
- ★ Small Packages in RM4 THT Type
- ★ After 1% trimming of these transformers the screw must be fixed with glue, with working temperature $-25^{\circ}\text{C} \sim 125^{\circ}\text{C}$

Specifications						
Part Number	Application	Inductance (uH)	Inductance @100mA (uH)	DCR (Ω Max) @25 $^{\circ}\text{C}$	Hi-Pot (Vdc)	
AR5139	Inductor	(6-3)60uH \pm 1% (2-5)60uH \pm 1%	(6-5)240uH (2-3)short.5% TYP	(6-3)=(2-5)=0.3	500	
AR5140	Inductor	(6-3)78uH \pm 1% (2-5)78uH \pm 1%	(6-5)312uH (2-3)short.5% TYP	(6-3)=(2-5)=0.3	500	
AR5141	Inductor	(6-3)75uH \pm 1% (2-5)75uH \pm 1%	(6-5)300uH (2-3)short.5% TYP	(6-3)=(2-5)=0.3	500	
AR5188	Inductor	(6-3)67.5uH \pm 1% (2-5)67.5uH \pm 1%	(6-5)270uH (2-3)short.5% TYP	(6-3)=(2-5)=0.3	500	

Dimension



Schematic



Data sheet subject to change without notice