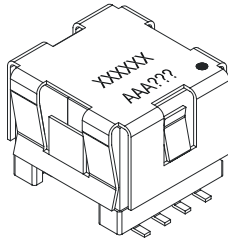




Inductor for POTS Splitter Application



★ Use For POTS Splitter Application

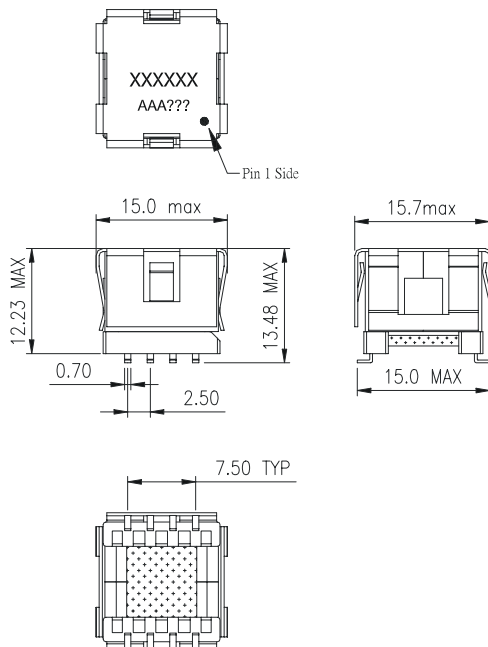
★ Stable Inductance with DC Bias

★ Small Packages in EP13 SMD Type

Specifications

Part Number	Application	Inductance @100mA (mH)	Inductance (mH)	DCR (Ω Max)	Hi-Pot (Vdc)
AR5196 -EP13CL	Inductor	(1-4),(5-8) 4.75mH±7% 10K/100mV	(4+5)-(1-8) 18mH±5% 1K/1V	(1-4),(5-8) <7.5	(1+4)-(5+-8) 500 10mA/1sec
AR5195 -EP13CL	Inductor	(1-4),(5-8) 2.3mH±7% 10K/100mV	(4+5)-(1-8) 9mH±5% 10K/100mV	(1-4),(5-8) <5.5	(1+4)-(5+8) 500 10mA/1sec

Dimension



Schematic

