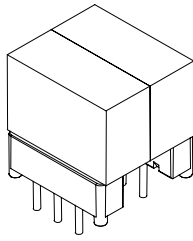




Inductor for POTS Splitter Application



★ Use For POTS Splitter Application

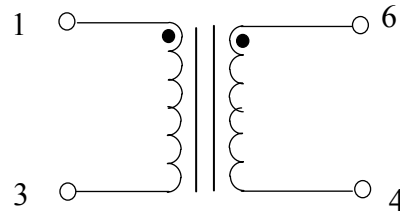
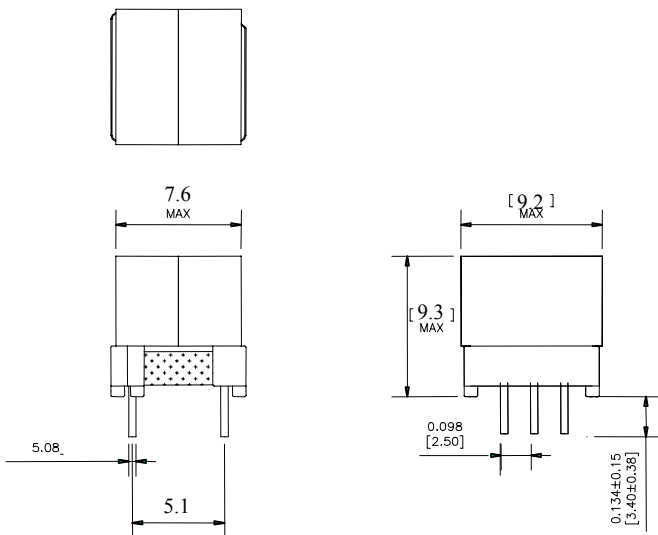
★ Stable Inductance with DC Bias

★ Small Packages in EP7 THT Type

Specifications						
Part Number	Application	Inductance (mH)	Inductance@130mA (mH)	DCR (Ω Max)	Hi-Pot (Vdc)	
AR5199	CMC	(1-3) 1.5mH \pm 30% (4-6) 1.5mH \pm 30%	NA	(1-6)=(3-4)<3	500	
AR5200	Inductor	64uH \pm 5% (3-6) with (1+4)short	64uH \pm 7% (3-6) with (1+4)short	(1-6)=(3-4)<3	500	
AR5201	Inductor	100uH \pm 5% (3-6) with (1+4)short	100uH \pm 7% (3-6) with (1+4)short	(1-6)=(3-4)<3	500	

Dimension

Schematic



Data sheet subject to change without notice