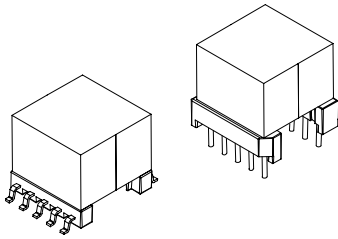


# Subscriber Line Interface Transformer

★ Designed for SLIC transformers in FCM05



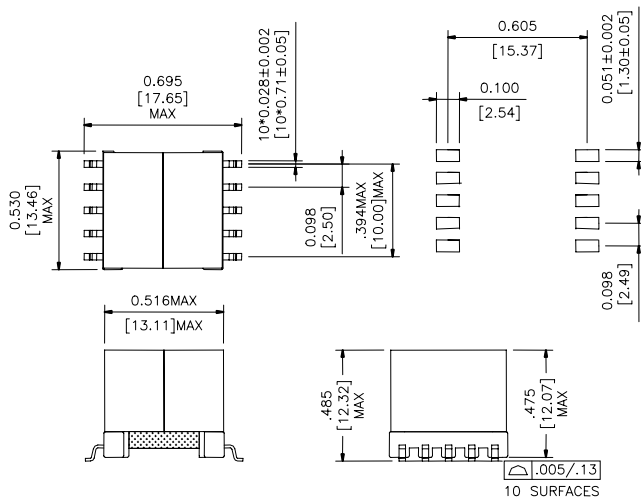
★ Excellent THD performance

★ Small EP13 Package type

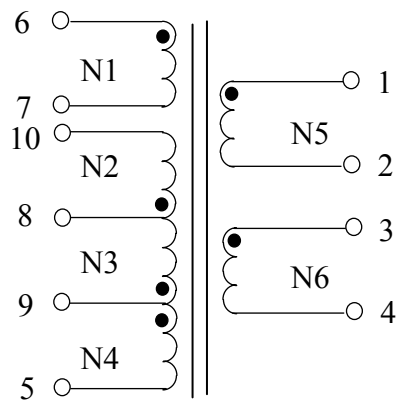
Specifications			
Part Number	Application	Turn Ratio(2%) N1:N2:N3:N4:N5:N6	OCL @ 1 KHz, 0.1 V N1~N6
AT5041	Subscriber Line	1:1:1:1:1:1	192mH min
AT0041	Subscriber Line	1:1:1:1:1:1	192mH min

Specifications continue		
Part Number	Isolation Voltage(60sec,10mA) (N1+N2+N3+N4)-(N5+N6)	Isolation Voltage(60sec,10mA) (N3+N4+N5)-( N6)
AT5041	500 Vrms	500 Vrms
AT0041	500 Vrms	500 Vrms

## Dimension



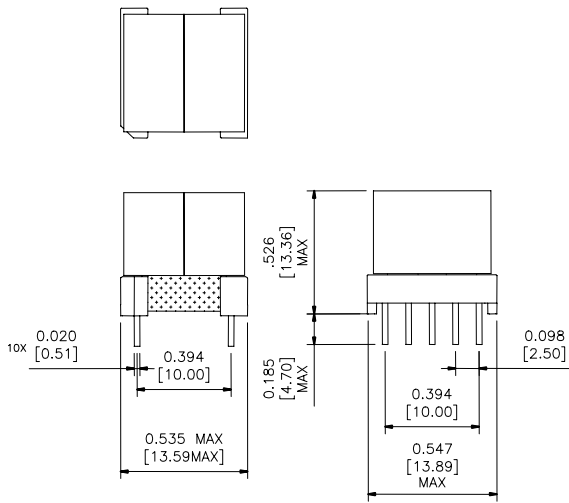
## Schematic



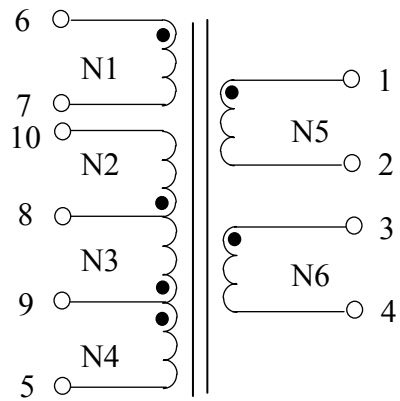
**AT0041**

Data sheet subject to change without notice

**Dimension**



**Schematic**



**AT5041**

Data sheet subject to change without notice