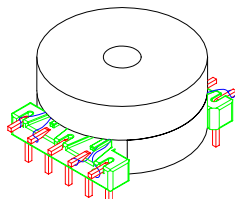


★ For use with Level One SK70704 Application

★ Designs exceed standards for ANSI and ETSI

★ Excellent THD performance

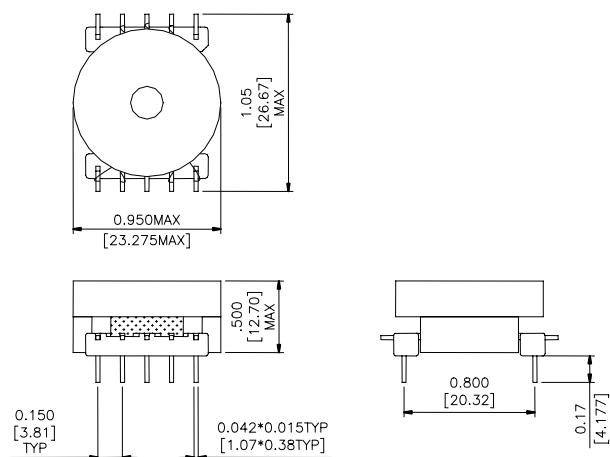
★ 75 mA DC Bias Capacity



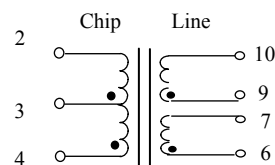
Specifications					
Part Number	Application	Turn Ratio (3%) Chip:Line	OCL @ 10 KHz, 0.1 V Line Side	Return Loss (dB Min)	Longitudinal Balance (dB Min)
DT5005	1168 Kbps	1CT:1.8CT	2.06mH(±6%)	15 @40~320KHz	50 @5-292KHz
DT5007	784 Kbps	1CT:1.8CS	2.76mH(±6%)	20 @40~200KHz	50 @5-196KHz

Specifications continue				
Part Number	THD	DCR Line Side (ohm Max)	DCR Chip Side (ohm Max)	Isolation Voltage (Vrms)
DT5005	-69 dB MIN @ 10 KHz	2.0 (6-7),(9-10)	2.0 (2-4)	1500
DT5007	-75 dB MIN @ 5 KHz	3.0 (6-8),(8-10)	3.2 (2-4)	2000

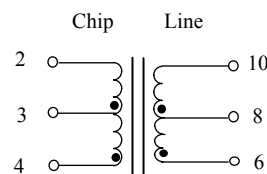
Dimension



Schematic



DT5005



DT5007

Data sheet subject to change without notice