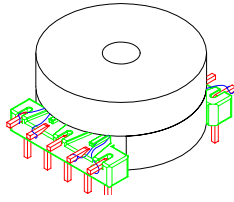


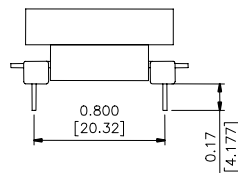
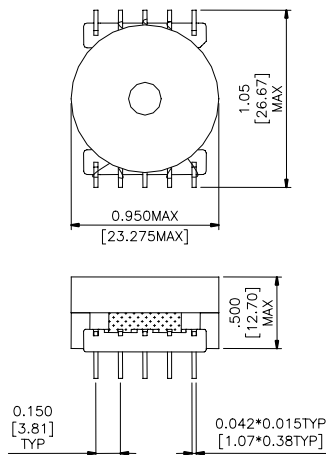
- ★ Matched to Brooktree's ICs
- ★ Excellent THD performance
- ★ Designs exceed standards for ANSI and ETSI



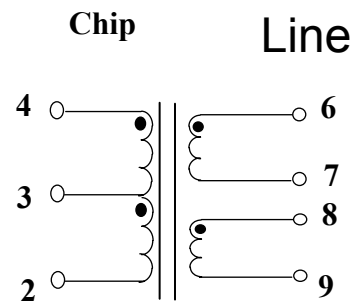
Specifications					
Part Number	Application	Turn Ratio (2%) Chip:Line	OCL Line Side with 160mA @ 10 KHz, 0.1 V	Leakage Inductance LineSide @100KHZ,0.1V	Return Loss
DT5030	HDSL	2CT:1:1	3.0mH(±6%)	16H Max	4KHz-2MHz:4dB Min
					40-200KHz: 20dB Min

Specifications continue					
Part Number	Longitudinal Balance @196KHz	THD @ 200 KHz,6Vp-p	DCR Line Side(6-9)	DCR Chip Side(4-2)	Isolation Voltage 10mA,1sec
DT5030	55 dB Min	75 dB Min	4.4 ohm Max	4.4ohm Max	1500(Vrms)

Dimension



Schematic



DT5030

Data sheet subject to change without notice