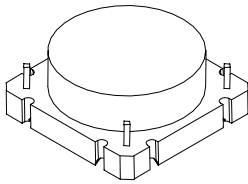




Current Sense Transformer



★ Designed to meet IR 235°C peak requirement



★ Small SMD Package

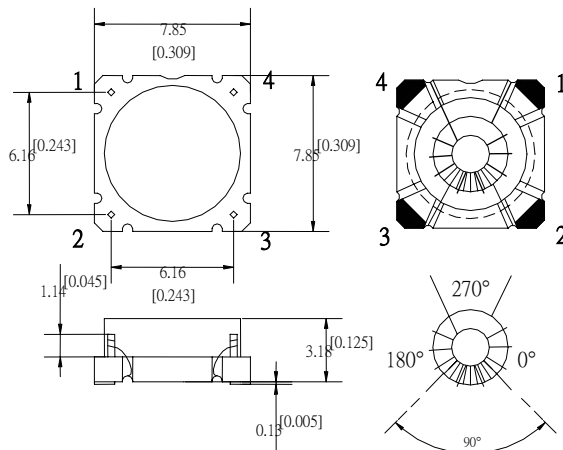
Specifications

Part Number	Application	OCL @ 100 KHz, 0.1 V (1-4)	Turn Ratio(1%) (1-4):(2-3)	DCR (2-3)	DCR (1-4)
PC0002	SMD	46 uH±30%	1:1	90m Ω Max	135m Ω Max
N43	SMD	46 uH±30%	1:1	90m Ω Max	135m Ω Max

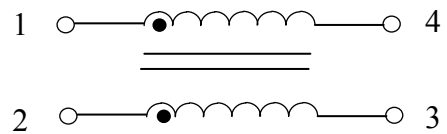
Specifications continue

Part Number	Isolation Voltage (rms)	
PC0002	500V	
N43	500V	

Dimension



Schematic



FECS part number: N43

Magcom part number: PC0002

Data sheet subject to change without notice