



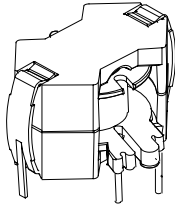
Exchange Line Interface Transformer



★ Designed for SLIC transformers in FCM05

★ Excellent THT performance

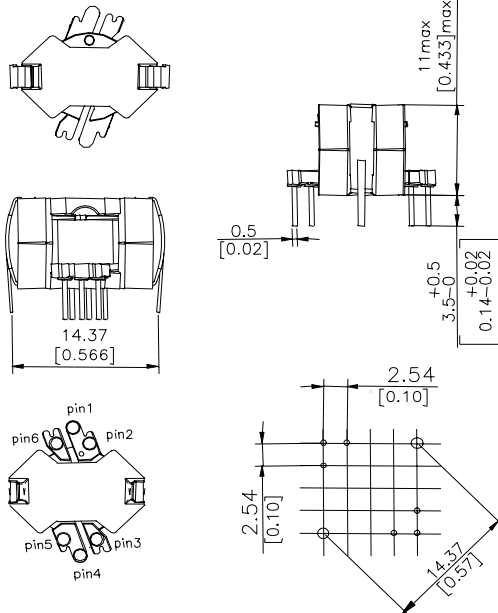
★ Small RM5 Package in THT Type



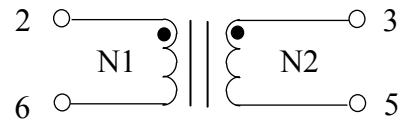
Specifications			
Part Number	Application	Turn Ratio(2%) N1:N2	OCL @ 1 KHz, 0.1 V N1 & N2
PC5008	Exchange line	1:1	1.42H min

Specifications continue		
Part Number	Isolation Voltage(1sec,10mA) (N1)-(N2)	
PC5008	500 Vrms	

Dimension



Schematic



PC5008

Data sheet subject to change without notice