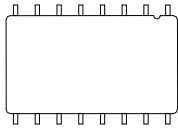


★ Matched to Leading transceiver ICs



★ Designed to meet IR 235⁰C peak requirement

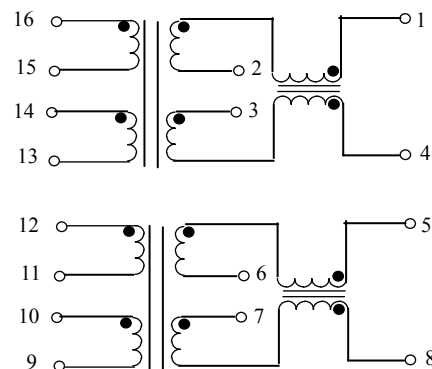
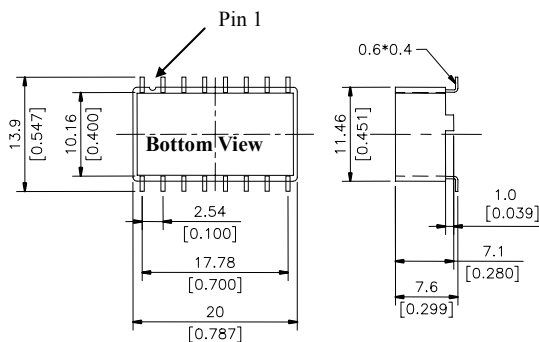
★ Meets pulse waveform template of CCITT I.430

Specifications					
Part Number	Application	Turn Ratio (2%)	OCL @ 10 KHz, 0.1 V (16-13) & (12-9)	DCR (16-15)=(14-13) (12-11)=(10-9)	DCR (1-2)=(3-4) (5-6)=(7-8)
ST1601	ISDN-S	2CS:1	100 mH Min	1.6 ohms Max	1.3 ohms Max

Specifications continue				
Part Number	C _{ww} 10KHz,100mV	L _L 100KHz,100mV	I _{dc}	Isolation Voltage (V _{rms})
ST1601	110pF Max	-55 dB Min	4 mA	1500

Dimension

Schematic



Data sheet subject to change without notice