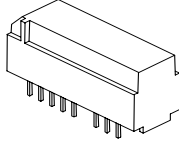
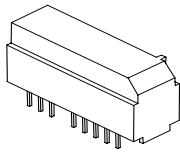


# ISDN-S Interface Transformer



★ Matched to CCITT.I-430 designed

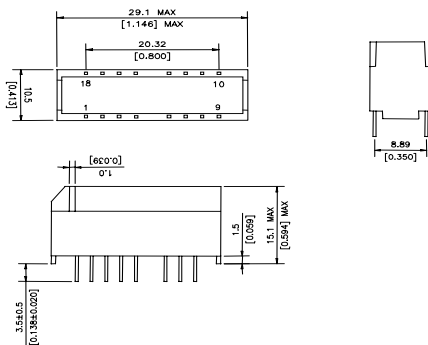
★ Matched to Various transceiver chip

★ Excellent longitudinal balance

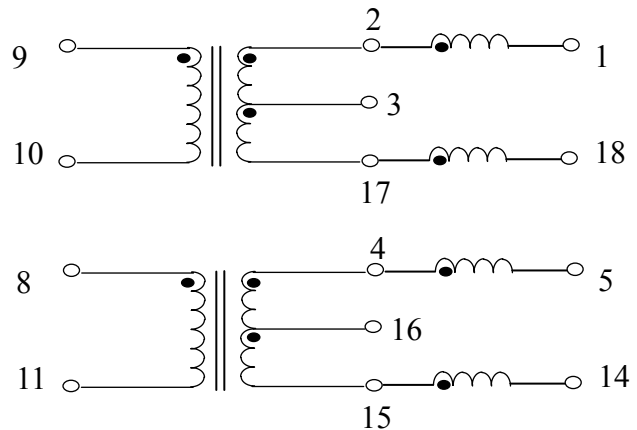
Specifications					
Part Number	Application	Turn Ratio(2%) (9-10):(2-17) (8-11):(4-15)	OCL @ 10 KHz, 0.1 V (2-17)&(4-15)	OCL @ 10 KHz, 0.1 V (2-1)&(17-18) (4-5)&(15-14)	Leakage Inductance(uH) @100KHz,0.1v, (2-17),shorted 9+10 (4-15),shorted 8+11
ST5006	ISDN-S	4:1	22mH min	5mH(+50%,-30%)	4uH max

Specifications continue					
Part Number	DCR (2-17)&(4-15)	DCR (9-10)&(8-11)	DCR (2-1)&(17-18) (4-5)&(15-14)	Leakage Inductance(uH) (2-1) @100KHz,0.1v, shorted 4+5+14+15+17+18	Isolation Voltage (9+10)-(2+17) &(8+11)-(4+15)
ST5006	2.6 ohms ±10%	4.8 ohms ±10%	1.1 ohms ±10%	0.6uH max	1500 Vrms

## Dimension



## Schematic



**ST5006**

Data sheet subject to change without notice