



64 Kbps Interface Transformer

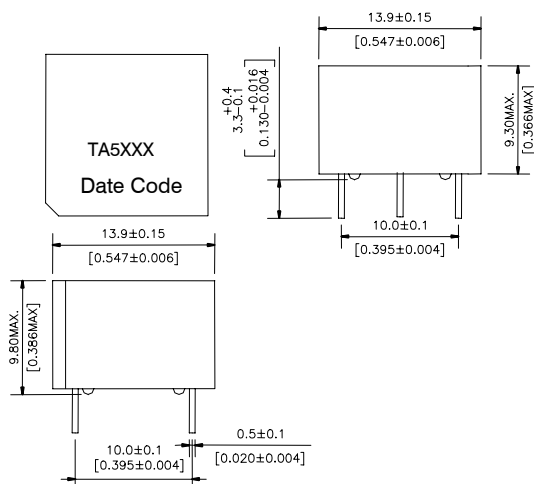


- ★ Designed for 64 kbps interface
- ★ Matched to the integrated circuit
- ★ Single Reinforced Insulation, 1.5KVrms
- ★ Design to meet ITU-T G.703

Specifications

PN	Turn Ratio	OCL (mH Min)	LL (uH Max)	CWW (pF Max)	DCR Pri (Ω Max)	DCR Sec (Ω Max)	Schematic	Pri /Sec
TA5021	1:2CT	20	5.0	130	2.65	5.0	A	1-3/6-4

Dimension



Schematic

