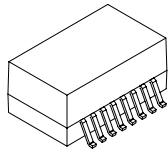




# T1/E1/ISDN-PRI Transformer



★ Designed for T1/E1/CEPT Line Interface



★ Matched to leading transceiver ICs

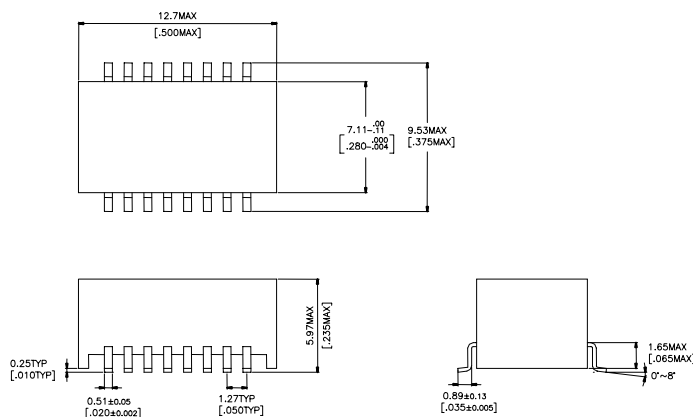
★ Single Reinforced Insulation, 1.5KVrms

★ Design to meet ITU-T G.703

## Specifications

PN	Turn Ratio	OCL (mH Min)	LL (uH Max)	CWW (pF Max)	DCR Pri (Ω Max)	DCR Sec (Ω Max)	Schematic	Pri
TA9002	1CT:1.41CT 1CT:1.41CT	1.2/1.2	0.8/0.8	30/30	0.7/0.7	0.9/0.9	A	1-3,6-8
TA9007	1CT:2.42CT 1CT:2.42CT	1.2/1.2	0.6/0.6	25/25	0.7/0.7	1.2/1.2	A	1-3,6-8
TA9008	2CT:1.26CT 2CT:1.26CT	1.5/1.5	0.5/0.5	40/35	1.0/1.0	0.7/0.7	A	1-3,6-8
TA9020	1CT:1.15CT 1CT:1.15CT	1.2/1.2	0.8/0.8	30/30	0.7/0.7	0.9/0.9	A	1-3,6-8
TA9021	1CT:2CT 1CT:2CT	1.2/1.2	0.8/0.8	30/30	0.9/0.9	1.3/1.3	A	16-14,6-8
TA9022	1CT:1CT 1CT:2CT	1.2/1.2	0.8/0.8	30/30	0.9/0.9	0.9/1.3	A	16-14,6-8
TA9023	1CT:2CT 1CT:2CT	1.5/1.5	0.8/0.8	40/40	0.9/0.9	1.3/1.3	A	16-14,6-8

## Dimension



## Schematic

