



# T1/E1/ISDN-PRI Transformer

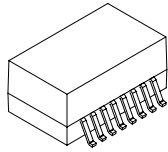


★ Designed for T1/E1/CEPT Line Interface

★ Matched to leading transceiver ICs

★ Single Reinforced Insulation, 1.5KVrms

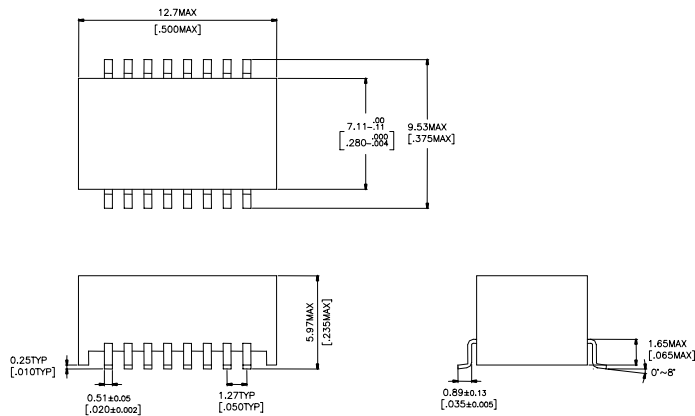
★ Design to meet ITU-T G.703



## Specifications

PN	Turn Ratio	OCL (mH Min)	LL (uH Max)	CWW (pF Max)	DCR Pri ( $\Omega$ Max)	DCR Sec ( $\Omega$ Max)	Schematic	Pri
TA9024	1CT:1.41CT 1CT:1.41CT	1.0/1.0	0.8/0.8	30/30	0.7/0.7	0.9/0.9	A	16-14,11-9

## Dimension



## Schematic

A

