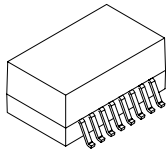


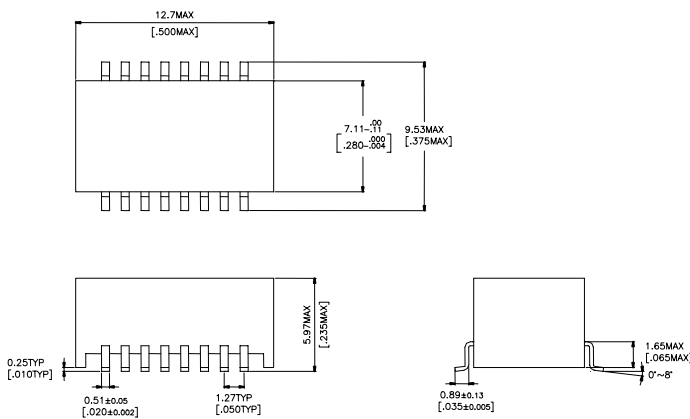
# SONET/SDH Dual Line Interface Transformer for E4/STM-1 application



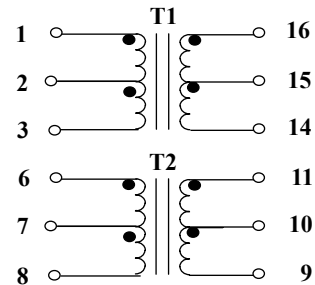
- ★ Compliant with ITU-T/G.703
- ★ Supports 139.264(E4) and 155.52(STM-1) Mbps for Coded Mark Inversion (CMI) interfaces
- ★ Designed to interface with Level One's LXT6155 for Use with 75 Ω coaxial cable
- ★ Dual design supports transmit and receive circuitry
- ★ Designed for fast rise time and low signal distortion

Specifications						
part Number	Tur ns Ratio (±5%)	Primary Inductance OCL(uH) Min @ 20m Vrms,100 kHz	Leakage Inductance LL (nH MAX)	Interwinding Capacitance Cww (pF MAX)	DC Resis tance DCR (Ω MAX)	Hipot (Vrms) MIN
TD0001	1:1	36	100	6.0	.30	1500

## Dimension



## Schematic



Data sheet subject to change without notice