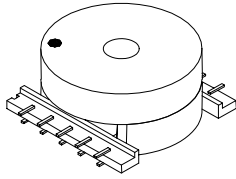


★ Matched to Leading transceiver ICs

★ High THD Performance

★ Part Meet ANSI T1.601-1992

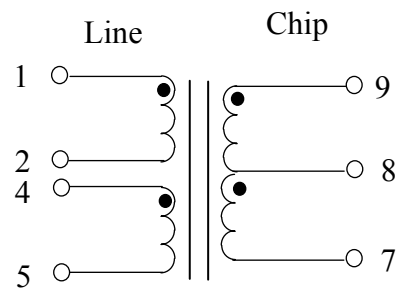
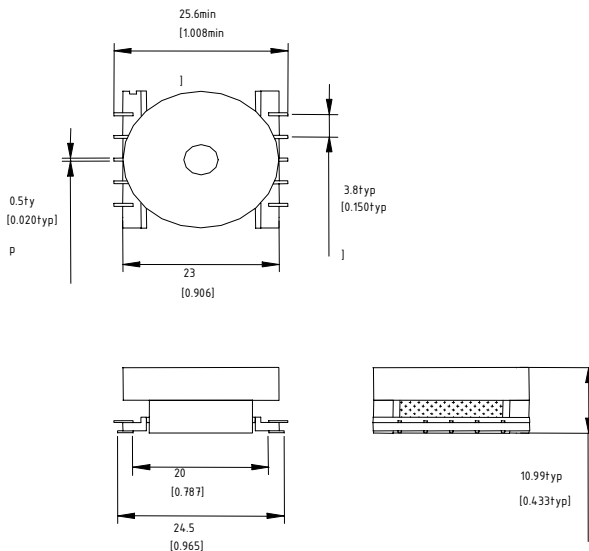


| Specifications | | | | | |
|----------------|-------------|-----------------------------|---|------------------------|--------------|
| Part Number | Application | Turn Ratio (3%) (1-5):(9-7) | OCL @ 10 KHz, 0.1 V (1-5), 2-4 shorted with 80mA DC | DCR (1-5), 2-4 shorted | DCR (9-7) |
| UT0003 | ISDN-U | 1.25:1 | 26.5-29.5mH | 12 ohms Max | 7.0 ohms Max |
| | | | | | |

| Specifications continue | | | | |
|-------------------------|---------------------------|--|---------------|--------------------------|
| Part Number | Return Loss 10 KHz-25 KHz | Longitudinal Balance (from 281 Hz to 40 KHz) | T.H.D (700Hz) | Isolation Voltage (Vrms) |
| UT0003 | 20 dB MIN | -55 dB Min | -71 dB Min | 2000 |
| | | | | |

Dimension : mm/inch ; ±0.2/0.008

Schematic



UT0003

Data sheet subject to change without notice