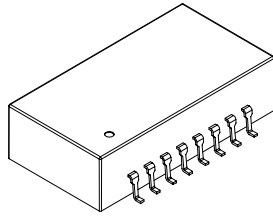


ISDN-SO Interface Transformer



Best Job!

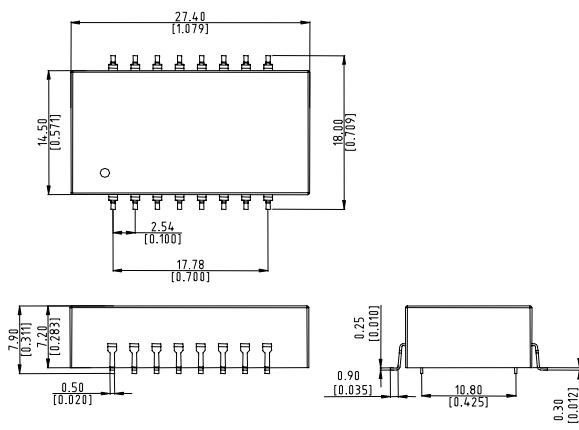


- ★ Designed to meet IR 235°C peak requirement for SMD part
- ★ Excellent longitudinal balance
- ★ Low or high frequency choke options available

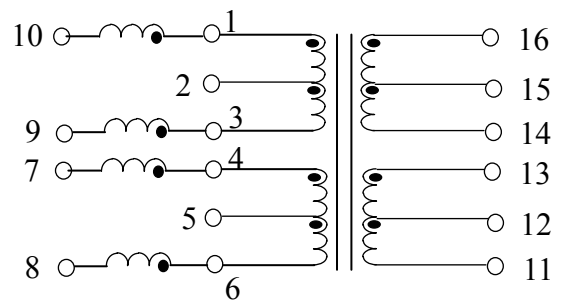
Specifications									
Part Number	Turn Ratio (±1%)	LP (mH) min	Ls (uH) max	IDC (mA)	CK (PF) max	CE (PF) max	Rline (Ω) max	Rlc (Ω) max	UP (KV)
UT0006	1:1:2:2	30	6.0	5.0	180	200	2.0	4.3	2.0

Specifications continue					
Part Number	LN (mH) min	LS1 (uH) max	RC (Ω) max	LP	LN
UT0006	5	1.0	1.0	(1-3), (4-6)	(1-10), (3-9), (4-7), (6-8)

Dimension



Schematic



UT0006

Data sheet subject to change without notice