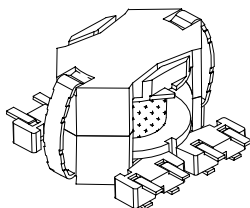


ISDN-U Interface Transformer

★ Use in NT and local center office



★ Matched to the following Ics,e.g.

UT0007: PEB/PSB 8091 and 8191; AM 2091

UT0008: PEB/PSB 8090; AM 20902

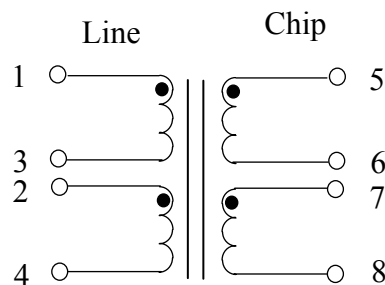
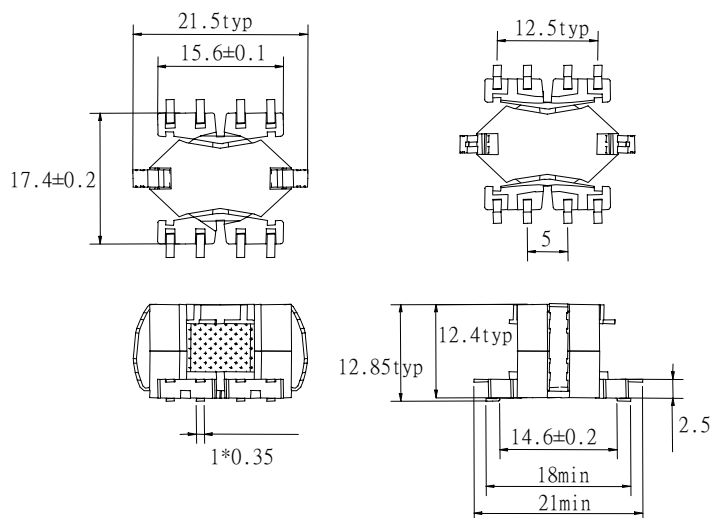
★ Package RM6 for SMD type

Specifications				
Part Number	Application	Turn Ratio(3%) (1-4):(5-8)	OCL @ 10 KHz, 0.1 V (1-4), shorted 2+3 ,with 60mA DC	Leakage Inductance (1-4)@ 100 KHz, 0.1 V
UT0007	ISDN-Uko	1.6:1	13.3mH ±10%	45uH max
UT0008	ISDN-Uko	1.32:1	7.70mH ±10%	40uH max

Specifications continue				
Part Number	Cww (1-5) @ 10 KHz, 0.1 V shorted(2+3)&(6+7)	DCR(1-4) ,shorted(2+3)	DCR(5-8) ,shorted(6+7)	Isolation Voltage (Vrms)
UT0007	70pF max	5.0 ohms Max	5.0 ohms Max	2000
UT0008	45pF max	3.8 ohms Max	3.8 ohms Max	2000

Dimension : mm

Schematic



UT0007 &

Data sheet subject to change without notice